

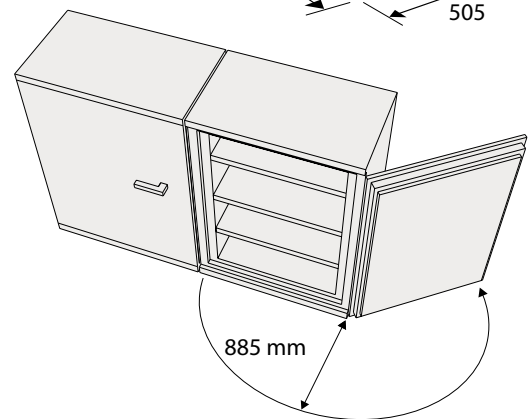
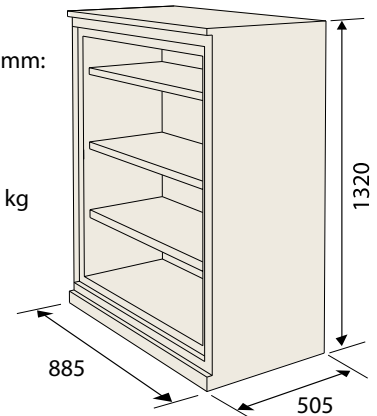


Internal dimensions mm:

- Height 1200
- Width 760
- Depth 360

Weight: Approx. 250 kg

Volume: Approx. 330 litres



The cabinets of SA-series can be placed directly next to each other. Opening the doors 90 degrees will provide full access.

Fire resistance grade 60P (NT Fire 017).

Durable powder coating in standard colour RAL 9002. Other colours can be quoted.

### Shelves

- 3 movable shelves is standard
- Choice of placement, every 33rd mm
- Shelf height is 24 mm



### Locks

Basic key lock in right handle. When locked, the handle cannot be turned.

The safe can be equipped with other key locks or electronic code locks.

### Interior – accessories



#### Folder storage

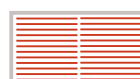
Capacity: 39 pc of A4 folders (60 mm)



#### Suspended file frame, capacity:

720 mm

2 x 330 mm



#### Sliding table



#### Lockable compartment

External dimensions in mm:  
H = 350 • W = 755 • D = 360

Internal dimensions in mm:  
H = 335 • W = 730 • D = 335