

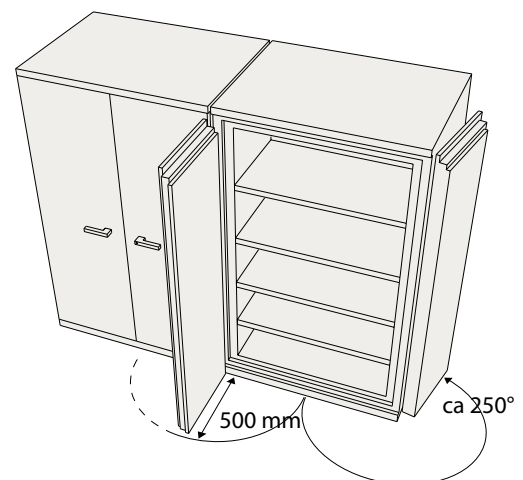
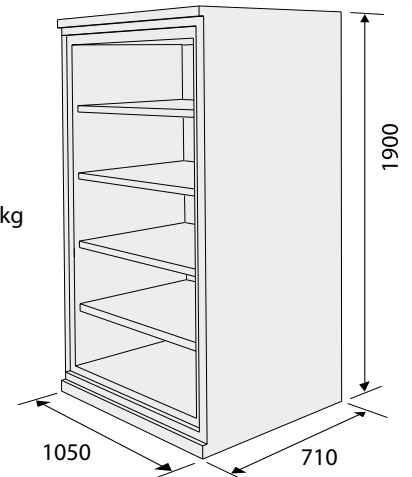


Internal dimensions mm:

- Height 1780
- Width 900
- Depth 570

Weight: Approx. 460 kg

Volume: Approx. 900 litres



The cabinets of SA-series can be placed directly next to each other. Opening the doors 90 degrees will provide full access.

Fire resistance grade 60P
(NT Fire 017).

Durable powder coating in standard colour RAL 9002. Other colours can be quoted.

Shelves

- 4 movable shelves is standard
- Choice of placement, every 33rd mm
- Shelf height is 24 mm



Locks

Basic key lock in right handle. When locked, the handle cannot be turned.

The safe can be equipped with other key locks or electronic code locks.

Interior – accessories



Folder storage

capacity: 150 pc of A4 folders (60 mm)

Arcivboxes

capacity: 120 pc of arcivboxes (80 mm)



Suspended file frame,

capacity:
2 x 550 mm



Sliding table